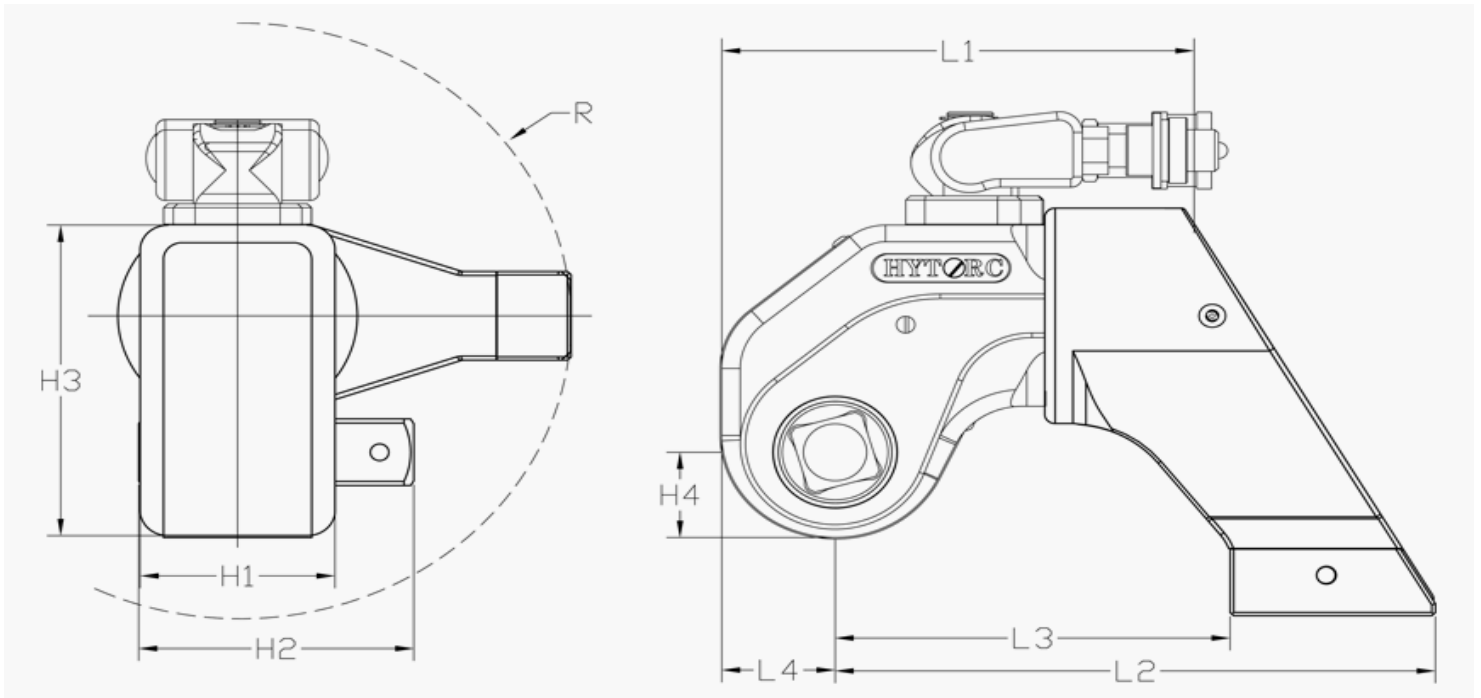


EDGE Dimensions



IMPERIAL											
TOOL	L1	L2	L3	L4	H1	H2	H3	H4	R	Weight	Max Torque (ft. lbs.)
EDGE-.5	4.01	5.06	3.32	0.98	1.64	2.57	2.95	0.98	2.77	3.3	820
EDGE-2	4.94	6.23	4.12	1.18	1.97	2.75	3.53	0.99	3.37	4.05	1244
EDGE-4	6.4	8.14	5.34	1.56	2.63	3.69	4.71	1.31	4.55	8.5	3067
EDGE-6	7.61	9.75	6.38	1.81	3.18	4.96	6.04	1.81	5.45	19.2	6130
EDGE-8	8.67	11.45	7.64	2.11	3.57	5.16	6.57	1.85	6.07	20.05	8518
EDGE-12	9.56	12.13	7.98	2.34	3.95	5.55	7.07	1.96	6.08	25	10953
EDGE-30	13.71	17.11	11.48	3.33	5.64	8.21	10.1	2.79	8.94	64.7	29523

METRIC											
TOOL	L1	L2	L3	L4	H1	H2	H3	H4	R	Weight	Max Torque (Nm)
EDGE-.5	101.9	128.5	84.3	24.9	41.7	65.3	74.9	24.9	70.4	1.5	1112
EDGE-2	125.5	158.2	104.6	30	50	69.9	89.7	25.1	85.6	1.8	1687
EDGE-4	162.6	206.8	135.6	39.6	66.8	93.7	119.6	33.3	115.6	3.9	4158
EDGE-6	193.4	246.8	162	46.1	80.9	126.1	153.5	46.1	137.2	8.7	8311
EDGE-8	220.2	290.8	194.1	53.6	90.7	131.1	166.9	47	154.2	9.1	11549
EDGE-12	242.8	308.1	202.7	59.4	100.3	141	179.6	49.8	154.4	11.4	14850
EDGE-30	348.2	434.6	291.6	84.6	143.3	208.5	256.5	70.9	227.1	29.4	40027